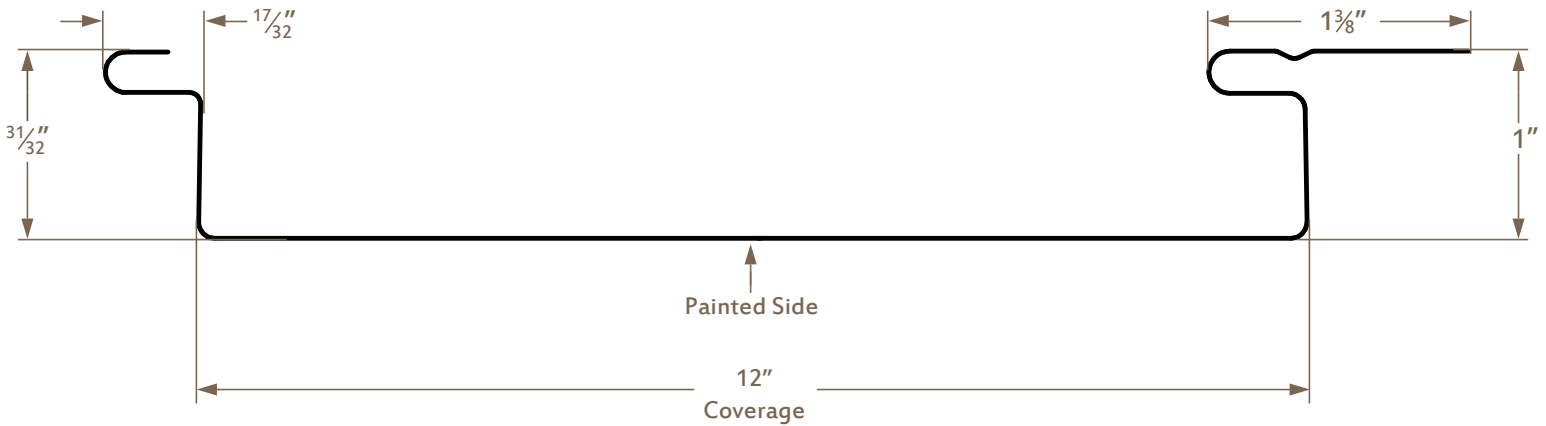


**METALLION  
INDUSTRIES**

# FLUSH

Wall or Soffit Panel



COMMERCIAL

CONCEALED  
FASTENERS

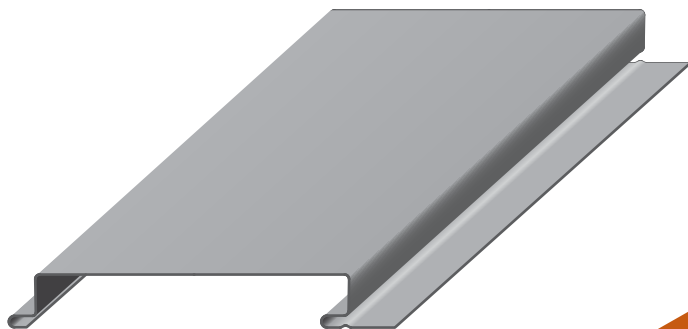
12" COVERAGE

OPEN FRAMING/  
SOLID SUBSTRATE

VENTED OPTION

## PANEL DESCRIPTION

- Applications: Commercial and Industrial
- Limited 40-year warranty paint
- Finishes on 24 ga: 10 standard PVDF colors
- Corrosion Protection on Substrate:
  - G-90 (ASTM A653) for PVDF painted 24 gauge
  - AZ-50 (ASTM A792) for painted Galvalume®
  - G-60 (ASTM A653) for painted Galvanized
- Sheet lengths: One inch increments to any length
- Optional: 22 & 26 gauge steel, custom colors, and aluminum panels
- Optional: Perforations for acoustical or vented soffit applications
- Adjustable reveal available: 0" - 3", in half inch increments
- For color availability, cool roof specs, and other panel info, please see our website: [www.metallionindustries.com](http://www.metallionindustries.com)



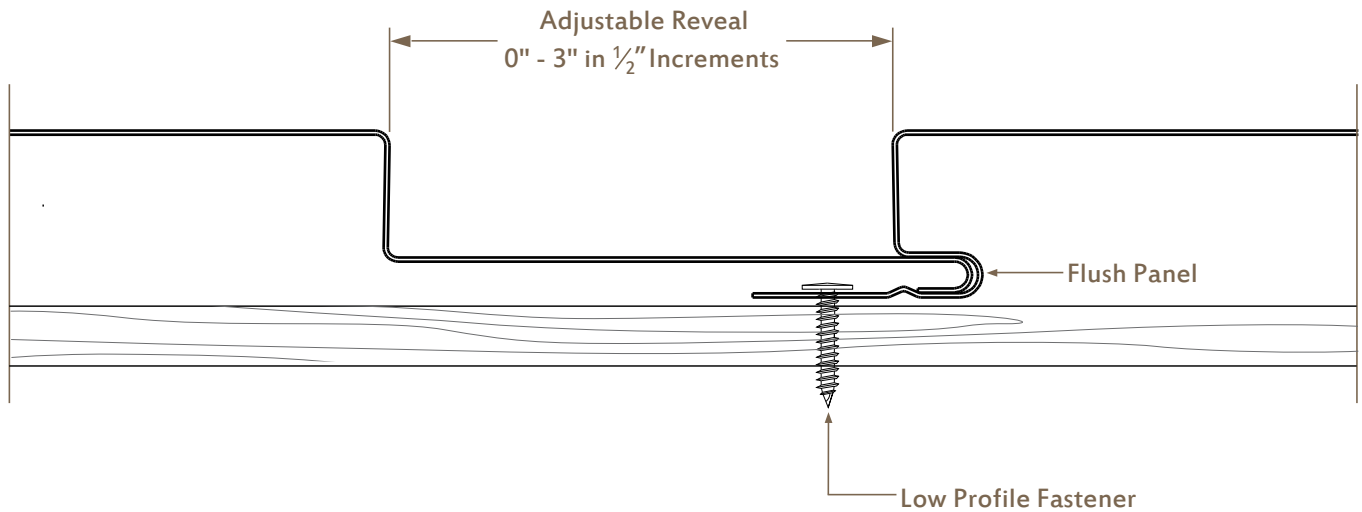
## TESTING DATA



- UL 2218 Impact Resistance
- UL 790, 263 Fire Resistance
- UL 580 Uplift Resistance



## PANEL FASTENING



### FASTENER INFORMATION

Fasten Panel to Wood using:

#10-9 Low Profile Wood Screw

Fasten Panel to Steel using:

#12-14 Low Profile Drill-Tip Screw

Screw thread should protrude no less than 1/4"  
through the substrate.

**Perforations are available for soffit applications**

