

**AGRICULTURAL/
COMMERCIAL**

**CONCEALED
FASTENERS**

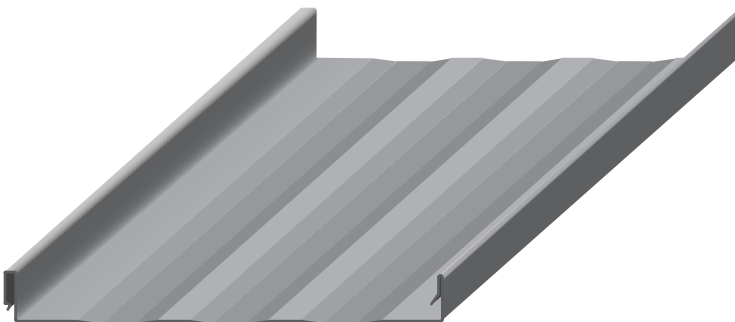
17 $\frac{5}{8}$ " COVERAGE

**MINIMUM SLOPE
2:12**

**OPEN FRAMING/
SOLID SUBSTRATE**

PANEL DESCRIPTION

- Applications: Commercial, Industrial, Agricultural, and Residential
- Limited 40-year warranty paint
- Finishes on 24 ga: 10 standard PVDF colors
- Corrosion Protection on Substrate:
 - AZ-50 (ASTM A792) for painted Galvalume®
 - G-60 (ASTM A653) for painted Galvanized
 - G-90 (ASTM A653) for PVDF painted 24 gauge
- Storm Shield surface protector on all standard colors
- Sheet lengths: One inch increments to any length
- Optional: 26 or 22 gauge steel, custom colors, and pre-painted aluminum
- Installation utilizes a clip that allow for expansion and contraction
- For color availability, cool roof specs, and other panel info, please see our website: www.metallionindustries.com



TESTING DATA



- UL 2218 Impact Resistance
- UL 790, 263 Fire Resistance
- UL 580 Uplift Resistance

PANEL FASTENING

CLIP & FASTENER INFORMATION

Fasten Clip to Wood using:

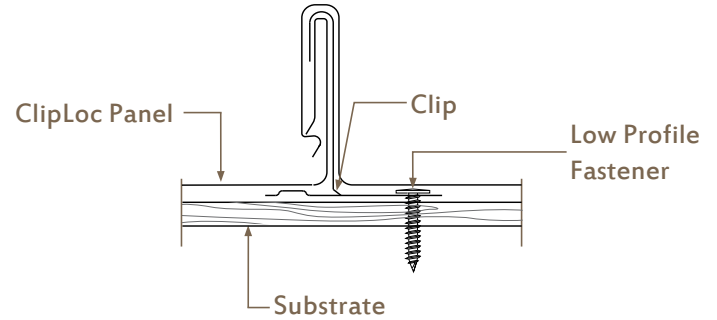
#10-9 Low Profile Wood Screw

Fasten Clip to Steel using:

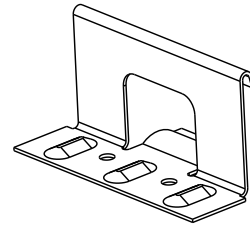
#12-14 Low Profile Drill-Tip Screw

Types of clips vary according to installation and application needs. Clips accommodate thermal expansion and contraction.

Screw thread should protrude no less than 1/4" through the substrate.



UL PANEL CLIP



Utilizes Two Fasteners

Clip Loc Allowable Loads (lbs/ft ²) per span			Wind Load Factor = 1.0 (not increased 33%)										
Ga	Span	Load Type	2'	2.5'	3'	3.5'	4'	4.5'	5'	5.5'	6'	6.5'	7'
24	Single	L/180	205	131	90	66	50	39	32	26	22	18	16
		L/240	205	131	90	66	50	39	32	26	22	18	16
		L/360	205	131	90	66	50	39	30	23	18	14	11
	Double	L/180	205	131	90	66	50	39	32	26	22	18	16
		L/240	205	131	90	66	50	39	32	26	22	18	16
		L/360	205	131	90	66	50	39	32	26	22	18	16
	Triple	L/180	231	149	104	76	58	46	37	30	25	21	18
		L/240	231	149	104	76	58	46	37	30	25	21	18
		L/360	231	149	104	76	58	46	37	30	25	21	18

24 gauge has .0236" min Substrate Thickness, 50 KSI Tensile (UL)

Panel Width: 18", ASTM A653

Loads are averages from similar products with design loads meeting AISI specifications

Oil Canning: Flat metal surfaces can display waviness, commonly referred to as "oil canning", which is an inherent characteristic of steel. "Oil canning" is not a defect and therefore not an acceptable reason for rejection.